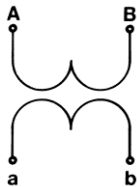
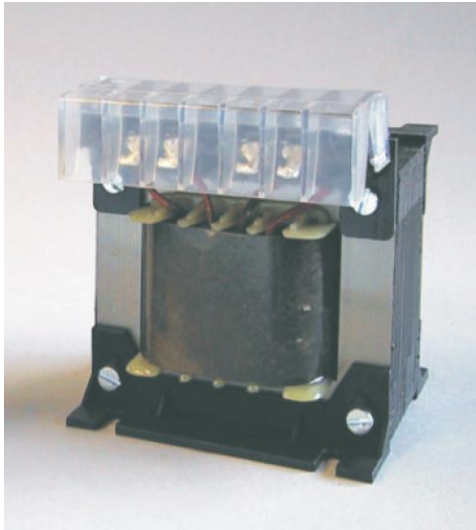


TTV6

Low-Voltage Transformer

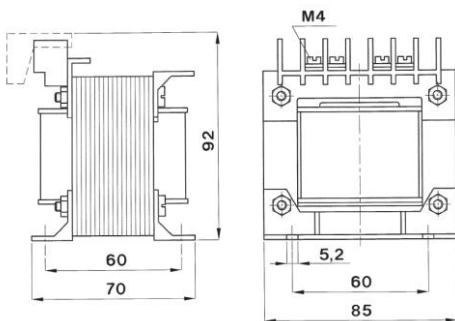


TECHNICAL DATA

metal housing	
insulation	class E
protection	IP 30
frequency	50...60Hz
test voltage	3kV x 1' at 50Hz
continuous overload	1,2 Un
thermal power	6x nominal burden
storage temperature	-40...+80°C
operating temperature	-25...+50°C
weight	approx. 1,6kg
manufactured according to	IEC/EN 60044-2 VDE-BS, UTE

Order Code	primary	secondary	burden class
			1,0
TTV006CO+P+S	100V	100V : 3	6VA
TTV006CO+P+S	110V	110V : 3	6VA
TTV006CO+P+S	115V	110V : 3	6VA
TTV006CO+P+S	220V	100V : $\sqrt{3}$	6VA
TTV006CO+P+S	230V	110V : $\sqrt{3}$	6VA
TTV006CO+P+S	380V	110V : $\sqrt{3}$	6VA
TTV006CO+P+S	400V	100V	6VA
TTV006CO+P+S	440V	110V	6VA
TTV006CO+P+S	500V		6VA
TTV006VCO+P+S	100V : $\sqrt{3}$	100V : 3	3VA
TTV006VCO+P+S	110V : $\sqrt{3}$	110V : 3	3VA
TTV006VCO+P+S	115V : $\sqrt{3}$	110V : 3	3VA
TTV006VCO+P+S	220V : $\sqrt{3}$	100V : $\sqrt{3}$	3VA
TTV006VCO+P+S	230V : $\sqrt{3}$	110V : $\sqrt{3}$	3VA
TTV006VCO+P+S	380V : $\sqrt{3}$	110V : $\sqrt{3}$	3VA
TTV006VCO+P+S	400V : $\sqrt{3}$	100V	3VA
TTV006VCO+P+S	440V : $\sqrt{3}$	110V	3VA
TTV006VCO+P+S	500V : $\sqrt{3}$		3VA

P = primary voltage
S = secondary voltage



Order Information and Special Options

- Order Code plus Primary Voltage / Secondary Voltage
- Tropical Design
- Frequency 400Hz
- Special current measuring ranges (on demand)

Langer
MESSTECHNIK

Soyerhofstrasse 16
D-81547 Muenchen
Germany

☎ +49-700-LANGER-01
☎ +49-89 - 69 99 86 78
Fax +49-89 - 69 99 86 79

eMail & Internet:
info@Langer-Messtechnik.de
www.Langer-Messtechnik.de