

TAA031

Current Transformer with Split Core

designed for Busbar 30x20mm / Cable \varnothing 20mm



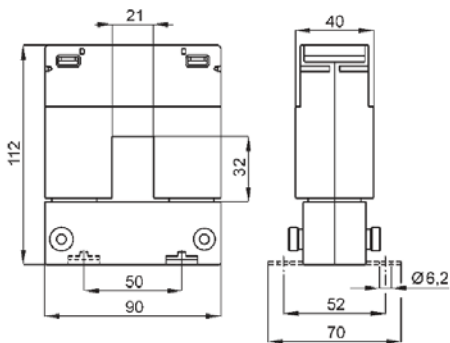
TECHNICAL DATA

break-proof plastic housing with
integrated terminal cover
self-extinguishing
insulation
protection
frequency
current limiting factor
thermal short-term current
dynamic short-term current
storage temperature
operating temperature
weight

UL94-V0
class E
IP 20
50..60Hz
FS 5
 $I_{th}=60I_n$
 $I_{dyn}=2,5 \times I_{th}$
-20..+80°C
-5..+50°C
0,60..0,80kg

Order Code	sec. 5A	burden	burden	burden
	primary	class	class	class
		0,5	1,0	3,0
TAA031100X05	100A			1,5VA
TAA031150X05	150A			1,5VA
TAA031250X05	250A	1VA	2,5VA	4VA
TAA031400X05	400A	2,5VA	3,75VA	6VA

Order Code	sec. 1A	burden	burden	burden
	primary	class	class	class
		0,5	1,0	3,0
TAA031100X01	100A			1,5VA
TAA031150X01	150A			1,5VA
TAA031250X01	250A	1VA	2,5VA	4VA
TAA031400X01	400A	2,5VA	3,75VA	6VA



Langer
MESSTECHNIK

Soyerhofstrasse 16
D-81547 Muenchen
Germany

☎ +49-700-LANGER-01
☎ +49-89 - 69 99 86 78
Fax +49-89 - 69 99 86 79

eMail & Internet:
info@Langer-Messtechnik.de
www.Langer-Messtechnik.de