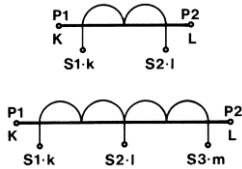


TAC20

Wound Current Transformer 85mm Width

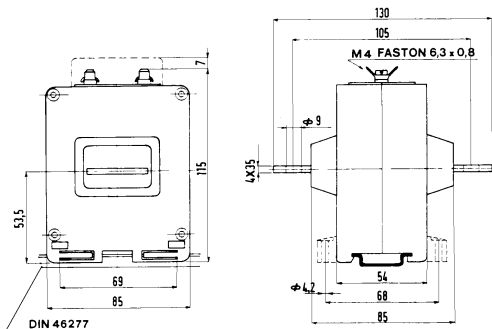
designed for 35mm DIN Rail



TECHNICAL DATA

break-proof plastic housing	UL94-V0
self-extinguishing	class E
insulation	IP 30
protection	50...60Hz
frequency	FS 5
current limiting factor	$I_{th}=60I_n$
thermal short-term current	$I_{dyn}=2,5 \times I_{th}$
dynamic short-term current	-40...+80°C
storage temperature	-25...+50°C
operating temperature	0,8...1,0kg
weight	

Order Code	sec. 5A primary	burden class 0,5	burden class 1,0	burden class 5P10 *)
TAC020005-05	5A	20VA	35VA	3VA
TAC020010-05	10A	20VA	35VA	3VA
TAC020015-05	15A	20VA	35VA	3VA
TAC020020-05	20A	20VA	35VA	3VA
TAC020025-05	25A	20VA	35VA	3VA
TAC020030-05	30A	20VA	35VA	3VA
TAC020040-05	40A	20VA	35VA	3VA
TAC020050-05	50A	20VA	35VA	3VA
TAC020060-05	60A	20VA	35VA	3VA
TAC020080-05	80A	20VA	35VA	3VA
TAC020100-05	100A	20VA	35VA	3VA
TAC020150-05	150A	20VA	35VA	3VA
TAC020200-05	200A	20VA	35VA	3VA
TAC020250-05	250A	20VA	35VA	3VA
TAC020300-05	300A	20VA	35VA	3VA
TAC020400-05	400A	20VA	35VA	3VA
TAC020500-05	500A	20VA	35VA	3VA
TAC020600-05	600A	20VA	35VA	3VA



Special Options

- *) Protection Transformer
- Tropical Design
- Frequency 400Hz
- Secondary 1A
- Special current measuring ranges (on demand)

Langer
MESSTECHNIK

Soyerhofstrasse 16
D-81547 Muenchen
Germany

☎ +49-700-LANGER-01
☎ +49-89 - 69 99 86 78
Fax +49-89 - 69 99 86 79

eMail & Internet:
info@Langer-Messtechnik.de
www.Langer-Messtechnik.de