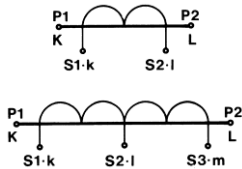


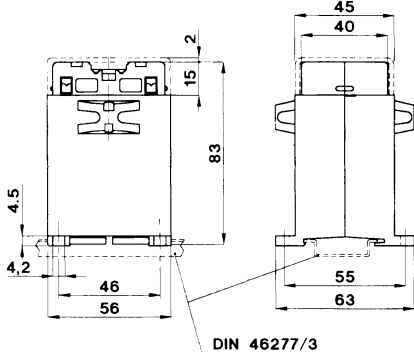
TAC5

Wound Current Transformer 56mm Width

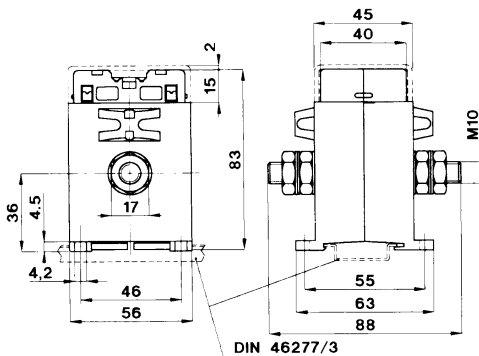
designed for 35mm DIN Rail



primary current 5A...25A



primary current 30A...100A



TECHNICAL DATA

break-proof plastic housing	UL94-V0
self-extinguishing	class E
insulation	IP 20
protection	40...60Hz
frequency	FS 5
current limiting factor	$I_{th}=60I_n$
thermal short-term current	$I_{dyn}=2,5 \times I_{th}$
dynamic short-term current	-40...+80°C
storage temperature	-25...+50°C
operating temperature	0,3...0,4kg
weight	

Order Code	sec. 5A primary	burden class 0,5	burden class 1,0
TAC005001-05	1A	5VA	7VA
TAC005005-05	5A	5VA	7VA
TAC005010-05	10A	5VA	7VA
TAC005015-05	15A	5VA	7VA
TAC005020-05	20A	5VA	7VA
TAC005025-05	25A	5VA	7VA
<hr/>			
TAC005030-05	30A	5VA	7VA
TAC005040-05	40A	5VA	7VA
TAC005050-05	50A	5VA	7VA
TAC005060-05	60A	5VA	7VA
TAC005080-05	80A	5VA	7VA
TAC005100-05	100A	5VA	7VA

Order Code	sec. 1A primary	burden class 0,5	burden class 1,0
TAC005001-01	1A	5VA	7VA
TAC005005-01	5A	5VA	7VA
TAC005010-01	10A	5VA	7VA
TAC005015-01	15A	5VA	7VA
TAC005020-01	20A	5VA	7VA
TAC005025-01	25A	5VA	7VA
<hr/>			
TAC005030-01	30A	5VA	7VA
TAC005040-01	40A	5VA	7VA
TAC005050-01	50A	5VA	7VA
TAC005060-01	60A	5VA	7VA
TAC005080-01	80A	5VA	7VA
TAC005100-01	100A	5VA	7VA

Special Options

- Tropical Design
- Frequency 400Hz
- Special current measuring ranges (on demand)

Langer
MESSTECHNIK

Soyerhofstrasse 16
D-81547 Muenchen
Germany

☎ +49-700-LANGER-01
☎ +49-89 - 69 99 86 78
Fax +49-89 - 69 99 86 79

eMail & Internet:
info@Langer-Messtechnik.de
www.Langer-Messtechnik.de