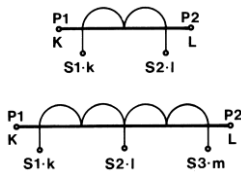
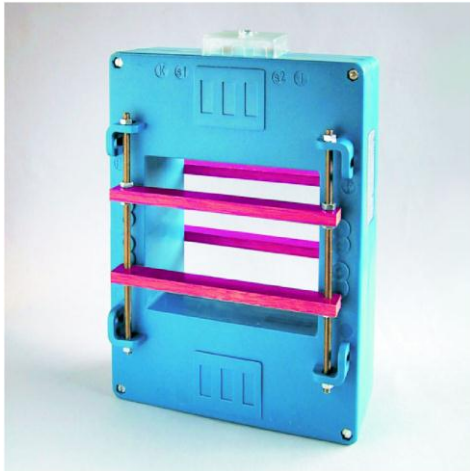


# TAT129

## Current Transformer 185mm Width designed for Busbar 5x120x10mm

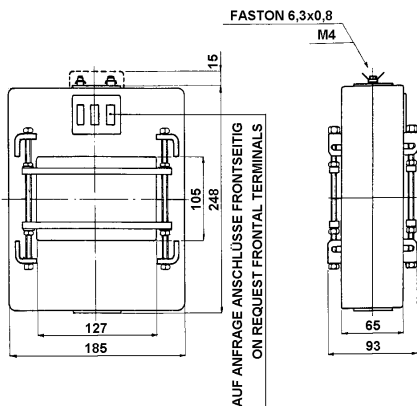


### TECHNICAL DATA

break-proof plastic housing	UL94-V0
self-extinguishing	class E
insulation	IP 30
protection	50...60Hz
frequency	FS 5
current limiting factor	$I_{th}=80I_n$
thermal short-term current	$I_{dyn}=2,5 \times I_{th}$
dynamic short-term current	-40...+80°C
storage temperature	-25...+50°C
operating temperature	2,5...3,7kg
weight	

Order Code	sec. 5A	burden	burden	burden
	primary	class	class	class
		0,5	1,0	<u>5P10 *</u>
TAT1291K0-05	1000A	25VA	50VA	10VA
TAT1291K2-05	1200A	30VA	60VA	12VA
TAT1291K5-05	1500A	35VA	70VA	15VA
TAT1292K0-05	2000A	40VA	80VA	20VA
TAT1292K5-05	2500A	50VA	100VA	20VA
TAT1293K0-05	3000A	70VA	120VA	25VA
TAT1294K0-05	4000A	80VA	150VA	30VA
TAT1295K0-05	5000A	100VA	180VA	15VA
TAT1296K0-05	6000A	100VA	180VA	15VA

Order Code	sec. 1A	burden	burden	burden
	primary	class	class	class
		0,5	1,0	<u>5P10 *</u>
TAT1291K0-01	1000A	25VA	50VA	10VA
TAT1291K2-01	1200A	30VA	60VA	12VA
TAT1291K5-01	1500A	35VA	70VA	15VA
TAT1292K0-01	2000A	40VA	80VA	20VA
TAT1292K5-01	2500A	50VA	100VA	20VA
TAT1293K0-01	3000A	70VA	120VA	25VA
TAT1294K0-01	4000A	80VA	150VA	30VA
TAT1295K0-01	5000A	100VA	180VA	15VA
TAT1296K0-01	6000A	100VA	180VA	15VA



### Special Options

- \*) Protection Transformer
- Tropical Design
- Frequency 400Hz
- Special current measuring ranges (on demand)

**Langer**  
MESSTECHNIK

Soyerhofstrasse 16  
D-81547 Muenchen  
Germany

☎ +49-700-LANGER-01  
☎ +49-89 - 69 99 86 78  
Fax +49-89 - 69 99 86 79

eMail & Internet:  
info@Langer-Messtechnik.de  
www.Langer-Messtechnik.de