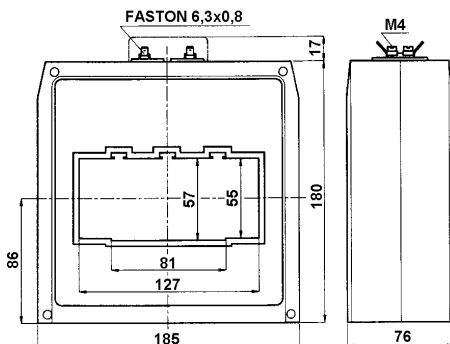
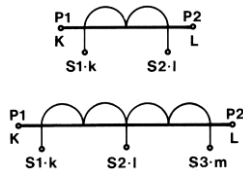


TAT127

Current Transformer 185mm Width designed for Busbar 3x120x10mm



TECHNICAL DATA

break-proof plastic housing	UL94-V0
self-extinguishing	class E
insulation	IP 30
protection	50...60Hz
frequency	FS 5
current limiting factor	$I_{th}=80I_n$
thermal short-term current	$I_{dyn}=2,5 \times I_{th}$
dynamic short-term current	-40...+80°C
storage temperature	-25...+50°C
operating temperature	2,5...3,3kg
weight	

Order Code	sec. 5A	burden	burden	burden
	primary	class	class	class
		0,5	1,0	<u>5P10 *)</u>
TAT127800-05	800A	20VA	40VA	8VA
TAT1271K0-05	1000A	20VA	40VA	10VA
TAT1271K2-05	1200A	25VA	50VA	12VA
TAT1271K5-05	1500A	40VA	80VA	15VA
TAT1272K0-05	2000A	50VA	100VA	15VA
TAT1272K5-05	2500A	60VA	120VA	20VA
TAT1273K0-05	3000A	80VA	160VA	25VA
TAT1274K0-05	4000A	100VA	200VA	30VA
TAT1275K0-05	5000A	120VA	240VA	-

Order Code	sec. 1A	burden	burden	burden
	primary	class	class	class
		0,5	1,0	<u>5P10 *)</u>
TAT127800-01	800A	20VA	40VA	8VA
TAT1271K0-01	1000A	20VA	40VA	10VA
TAT1271K2-01	1200A	25VA	50VA	12VA
TAT1271K5-01	1500A	40VA	80VA	15VA
TAT1272K0-01	2000A	50VA	100VA	15VA
TAT1272K5-01	2500A	60VA	120VA	20VA
TAT1273K0-01	3000A	80VA	160VA	25VA
TAT1274K0-01	4000A	100VA	200VA	30VA
TAT1275K0-01	5000A	120VA	240VA	-

Special Options

- *) Protection Transformer
- Tropical Design
- Frequency 400Hz
- Special current measuring ranges (on demand)

Langer
MESSTECHNIK

Soyerhofstrasse 16
D-81547 Muenchen
Germany

☎ +49-700-LANGER-01
☎ +49-89 - 69 99 86 78
Fax +49-89 - 69 99 86 79

eMail & Internet:
info@Langer-Messtechnik.de
www.Langer-Messtechnik.de