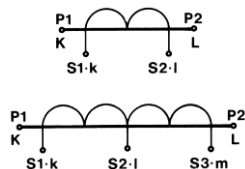
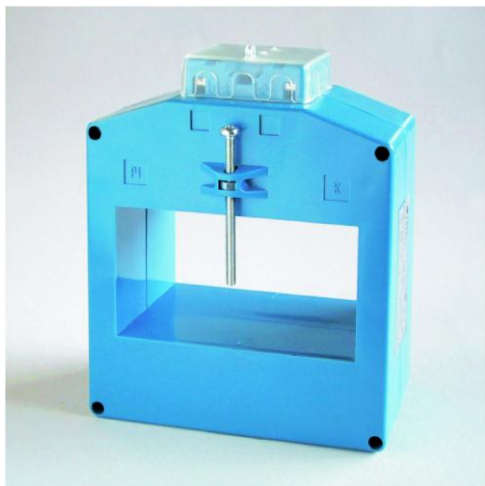


TAT101

Current Transformer 129mm Width designed for Busbar 3x100x10mm

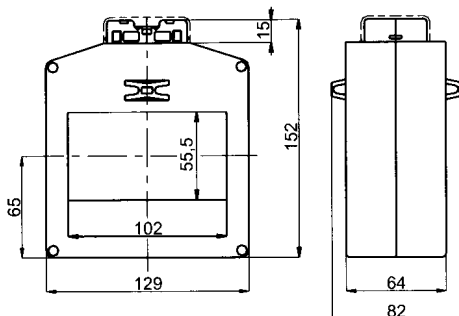


TECHNICAL DATA

break-proof plastic housing with integrated terminal cover	UL94-V0
self-extinguishing insulation	class E
protection	IP 20
frequency	50...60Hz
current limiting factor	FS 5
thermal short-term current	$I_{th}=80I_n$
dynamic short-term current	$I_{dyn}=2,5 \times I_{th}$
storage temperature	-40...+80°C
operating temperature	-25...+50°C
weight	1,2...3,0kg

Order Code	sec. 5A primary	burden class 0,5	burden class 1,0	burden class 5P10 *)
TAT101400-05	400A	3VA	5VA	-
TAT101500-05	500A	5VA	8VA	2VA
TAT101600-05	600A	8VA	12VA	4VA
TAT101750-05	750A	8VA	12VA	4VA
TAT101800-05	800A	10VA	18VA	6VA
TAT1011K0-05	1000A	15VA	25VA	7VA
TAT1011K2-05	1200A	20VA	30VA	8VA
TAT1011K5-05	1500A	30VA	40VA	8VA
TAT1012K0-05	2000A	40VA	45VA	10VA
TAT1012K5-05	2500A	40VA	45VA	12VA
TAT1013K0-05	3000A	40VA	45VA	15VA
TAT1014K0-05	4000A	40VA	45VA	20VA

Order Code	sec. 1A primary	burden class 0,5	burden class 1,0	burden class 5P10 *)
TAT101400-01	400A	3VA	5VA	-
TAT101500-01	500A	5VA	8VA	2VA
TAT101600-01	600A	8VA	12VA	4VA
TAT101750-01	750A	8VA	12VA	4VA
TAT101800-01	800A	10VA	18VA	6VA
TAT1011K0-01	1000A	15VA	25VA	7VA
TAT1011K2-01	1200A	20VA	30VA	8VA
TAT1011K5-01	1500A	30VA	40VA	8VA
TAT1012K0-01	2000A	40VA	45VA	10VA
TAT1012K5-01	2500A	40VA	45VA	12VA
TAT1013K0-01	3000A	40VA	45VA	15VA
TAT1014K0-01	4000A	40VA	45VA	20VA



Special Options

- *) Protection Transformer
- Tropical Design
- Frequency 400Hz
- Special current measuring ranges (on demand)

Langer
MESSTECHNIK

Soyerhofstrasse 16
D-81547 Muenchen
Germany

☎ +49-700-LANGER-01
☎ +49-89 - 69 99 86 78
Fax +49-89 - 69 99 86 79

eMail & Internet:
info@Langer-Messtechnik.de
www.Langer-Messtechnik.de