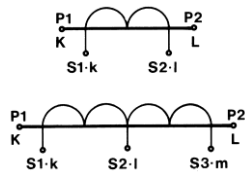
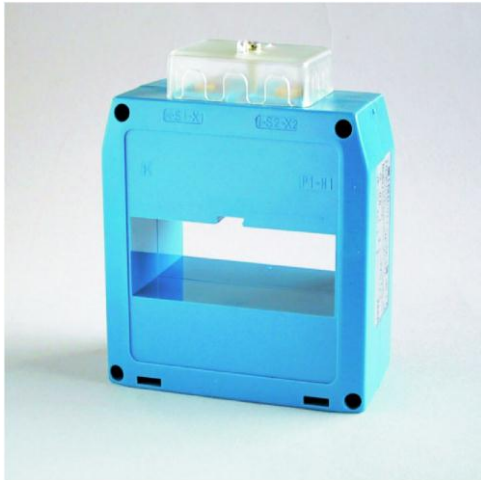
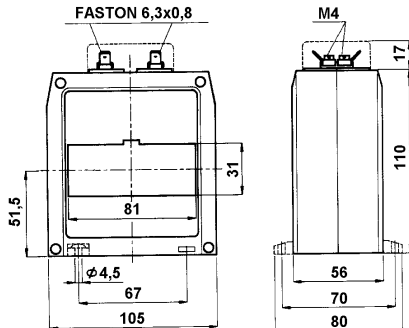


TAT81 / TAT82

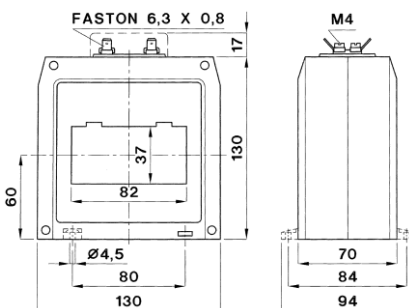
Current Transformer 105mm Width designed for Busbar 2x80x10mm



TAT81



TAT82 *)



TECHNICAL DATA

break-proof plastic housing	UL94-V0
self-extinguishing	class E
insulation	IP 30
protection	50...60Hz
frequency	FS 5
current limiting factor	$I_{th}=60I_n$
thermal short-term current	$I_{dyn}=2,5 \times I_{th}$
dynamic short-term current	-40...+80°C
storage temperature	-25...+50°C
operating temperature	0,55...0,75kg
weight	

Order Code	sec. 5A primary	burden class 0,5	burden class 1,0	burden class 5P10 *)
TAT081400-05	400A	5VA	10VA	5VA
TAT081500-05	500A	5VA	10VA	6VA
TAT081600-05	600A	8VA	15VA	7VA
TAT081750-05	750A	8VA	15VA	7VA
TAT081800-05	800A	10VA	20VA	8VA
TAT0811K0-05	1000A	15VA	30VA	12VA
TAT0811K2-05	1200A	20VA	40VA	13VA
TAT0811K5-05	1500A	20VA	40VA	15VA
TAT0812K0-05	2000A	30VA	50VA	15VA
TAT0812K5-05	2500A	40VA	60VA	15VA

Order Code	sec. 1A primary	burden class 0,5	burden class 1,0	burden class 5P10 *)
TAT081400-01	400A	5VA	10VA	5VA
TAT081500-01	500A	5VA	10VA	6VA
TAT081600-01	600A	8VA	15VA	7VA
TAT081750-01	750A	8VA	15VA	7VA
TAT081800-01	800A	10VA	20VA	8VA
TAT0811K0-01	1000A	15VA	30VA	12VA
TAT0811K2-01	1200A	20VA	40VA	13VA
TAT0811K5-01	1500A	20VA	40VA	15VA
TAT0812K0-01	2000A	30VA	50VA	15VA
TAT0812K5-01	2500A	40VA	60VA	15VA

*) Special option protection transformer with TAT82 only;
Width TAT82 = 130mm

Special Options

- *) Protection Transformer
- Tropical Design
- Frequency 400Hz
- Special current measuring ranges (on demand)

Langer
MESSTECHNIK

Soyerhofstrasse 16
D-81547 Muenchen
Germany

☎ +49-700-LANGER-01
☎ +49-89 - 69 99 86 78
Fax +49-89 - 69 99 86 79

eMail & Internet:
info@Langer-Messtechnik.de
www.Langer-Messtechnik.de