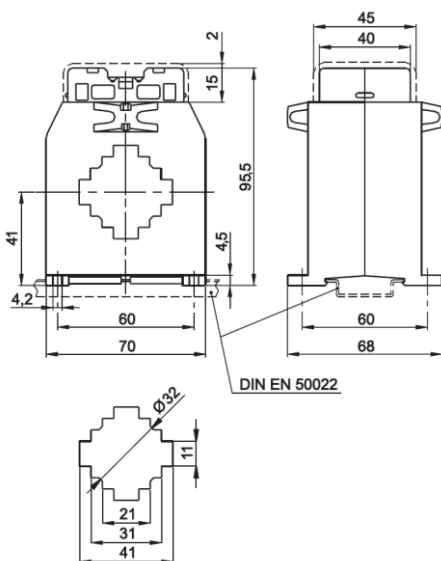
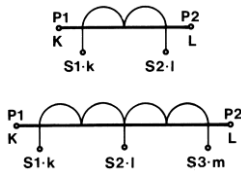


# TAC40

## Current Transformer 70mm Width suitable for 35mm DIN Rail designed for Busbar 40x10mm or 2x30x10mm



### TECHNICAL DATA

break-proof plastic housing with  
integrated terminal cover  
self-extinguishing  
insulation  
protection  
frequency  
current limiting factor  
thermal short-term current  
dynamic short-term current  
storage temperature  
operating temperature  
weight

UL94-V0  
class E  
IP 20  
50...60Hz  
FS 5  
 $I_{th}=60I_n$   
 $I_{dyn}=2,5 \times I_{th}$   
-40...+80°C  
-25...+50°C  
0,35...0,50kg

Order Code	sec. 5A primary	burden class 0,5	burden class 1,0	burden class 3,0
TAC040100-05	100A			4VA
TAC040150-05	150A	1,5VA	3VA	5VA
TAC040200-05	200A	2VA	4VA	6VA
TAC040250-05	250A	3VA	6VA	9VA
TAC040300-05	300A	5VA	8VA	12VA
TAC040400-05	400A	10VA	15VA	20VA
TAC040500-05	500A	12VA	20VA	25VA
TAC040600-05	600A	15VA	20VA	25VA
TAC040750-05	750A	15VA	20VA	25VA
TAC040800-05	800A	18VA	25VA	30VA
TAC0401K0-05	1000A	20VA	25VA	30VA

Order Code	sec. 1A primary	burden class 0,5	burden class 1,0	burden class 3,0
TAC040100-01	100A			4VA
TAC040150-01	150A	1,5VA	3VA	5VA
TAC040200-01	200A	2VA	4VA	6VA
TAC040250-01	250A	3VA	6VA	9VA
TAC040300-01	300A	5VA	8VA	12VA
TAC040400-01	400A	10VA	15VA	20VA
TAC040500-01	500A	12VA	20VA	25VA
TAC040600-01	600A	15VA	20VA	25VA
TAC040750-01	750A	15VA	20VA	25VA
TAC040800-01	800A	18VA	25VA	30VA
TAC0401K0-01	1000A	20VA	25VA	30VA

### Special Options

- Tropical Design
- Frequency 400Hz
- Special current measuring ranges (on demand)

**Langer**  
MESSTECHNIK

Soyerhofstrasse 16  
D-81547 Muenchen  
Germany

☎ +49-700-LANGER-01  
☎ +49-89 - 69 99 86 78  
Fax +49-89 - 69 99 86 79

eMail & Internet:  
info@Langer-Messtechnik.de  
www.Langer-Messtechnik.de