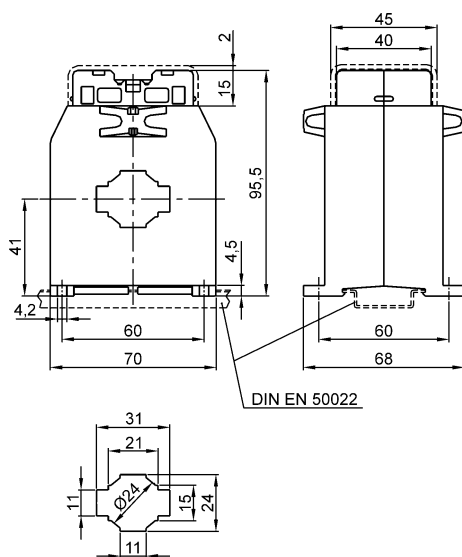
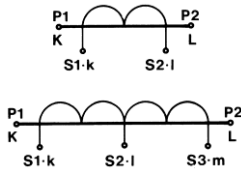


TAC33

Current Transformer 70mm Width suitable for 35mm DIN Rail designed for Busbar 30x10mm



TECHNICAL DATA

break-proof plastic housing with
integrated terminal cover
self-extinguishing
insulation
protection
frequency
current limiting factor
thermal short-term current
dynamic short-term current
storage temperature
operating temperature
weight

UL94-V0
class E
IP 20
50...60Hz
FS 5
 $I_{th}=40I_n$
 $I_{dyn}=2,5 \times I_{th}$
-40...+80°C
-25...+50°C
0,55...0,75kg

Order Code	sec. 5A primary	burden class 0,5	burden class 1,0	burden class 5P5 *)	burden class 5P10 *)
TAC033060-05	60A	1VA	1,5VA	1VA	-
TAC033080-05	80A	2VA	3VA	1,5VA	-
TAC033100-05	100A	3VA	4VA	2VA	-
TAC033150-05	150A	5VA	7,5VA	3VA	1VA
TAC033200-05	200A	7,5VA	10VA	4VA	1VA
TAC033250-05	250A	10VA	12VA	5VA	1,5VA
TAC033300-05	300A	10VA	15VA	6VA	2VA
TAC033400-05	400A	12VA	20VA	8VA	2,5VA
TAC033500-05	500A	15VA	25VA	10VA	3VA
TAC033600-05	600A	20VA	30VA	12VA	4VA

Order Code	sec. 1A primary	burden class 0,5	burden class 1,0	burden class 5P5 *)	burden class 5P10 *)
TAC033060-01	60A	1VA	1,5VA	1VA	-
TAC033080-01	80A	2VA	3VA	1,5VA	-
TAC033100-01	100A	3VA	4VA	2VA	-
TAC033150-01	150A	5VA	7,5VA	3VA	1VA
TAC033200-01	200A	7,5VA	10VA	4VA	1VA
TAC033250-01	250A	10VA	12VA	5VA	1,5VA
TAC033300-01	300A	10VA	15VA	6VA	2VA
TAC033400-01	400A	12VA	20VA	8VA	2,5VA
TAC033500-01	500A	15VA	25VA	10VA	3VA
TAC033600-01	600A	20VA	30VA	12VA	4VA

Special Options

- *) Protection Transformer
- Tropical Design
- Frequency 400Hz
- Special current measuring ranges (on demand)

Langer
MESSTECHNIK

Soyerhofstrasse 16
D-81547 Muenchen
Germany

☎ +49-700-LANGER-01
☎ +49-89 - 69 99 86 78
Fax +49-89 - 69 99 86 79

eMail & Internet:
info@Langer-Messtechnik.de
www.Langer-Messtechnik.de