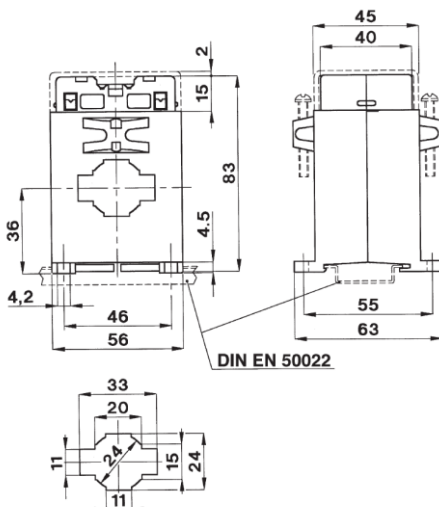
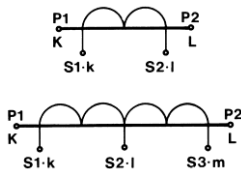
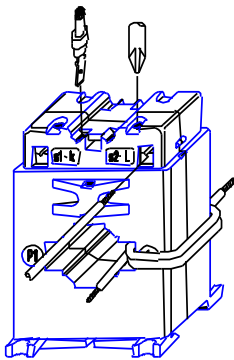


# TAC32

## Current Transformer 56mm Width suitable for 35mm DIN Rail designed for Busbar 30x10mm



### TECHNICAL DATA

break-proof plastic housing with  
integrated terminal cover  
self-extinguishing  
insulation  
protection  
frequency  
current limiting factor  
thermal short-term current  
dynamic short-term current  
storage temperature  
operating temperature  
weight

UL94-V0  
class E  
IP 20  
50...60Hz  
FS 5  
 $I_{th}=40I_n$   
 $I_{dyn}=2,5 \times I_{th}$   
-40...+80°C  
-25...+50°C  
0,25...0,30kg

Order Code	sec. 5A	burden	burden	burden
	primary	class	class	class
		0,5	1,0	3,0
TAC032100-05	100A	1VA	2VA	3VA
TAC032150-05	150A	2,5VA	3VA	5VA
TAC032200-05	200A	3VA	5VA	8VA
TAC032250-05	250A	4VA	7VA	10VA
TAC032300-05	300A	6VA	10VA	12VA
TAC032400-05	400A	10VA	12VA	12VA
TAC032500-05	500A	12VA	15VA	15VA
TAC032600-05	600A	12VA	15VA	15VA

Order Code	sec. 1A	burden	burden	burden
	primary	class	class	class
		0,5	1,0	3,0
TAC032100-01	100A	1VA	2VA	3VA
TAC032150-01	150A	2,5VA	3VA	5VA
TAC032200-01	200A	3VA	5VA	8VA
TAC032250-01	250A	4VA	7VA	10VA
TAC032300-01	300A	6VA	10VA	12VA
TAC032400-01	400A	10VA	12VA	12VA
TAC032500-01	500A	12VA	15VA	15VA
TAC032600-01	600A	12VA	15VA	15VA

### Special Options

- Tropical Design
- Frequency 400Hz
- Special current measuring ranges (on demand)

**Langer**  
MESSTECHNIK

Soyerhofstrasse 16  
D-81547 Muenchen  
Germany

☎ +49-700-LANGER-01  
☎ +49-89 - 69 99 86 78  
Fax +49-89 - 69 99 86 79

eMail & Internet:  
info@Langer-Messtechnik.de  
www.Langer-Messtechnik.de