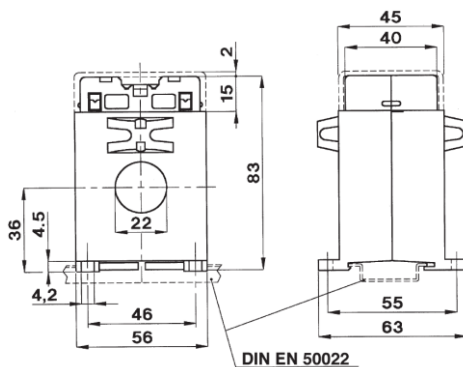
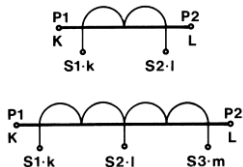
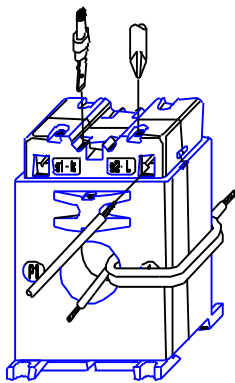


TAC22

Current Transformer 56mm Width suitable for 35mm DIN Rail for Cable \varnothing max. 22mm



TECHNICAL DATA

break-proof plastic housing with
integrated terminal cover
self-extinguishing
insulation
protection
frequency
current limiting factor
thermal short-term current
dynamic short-term current
storage temperature
operating temperature
weight

UL94-V0
class E
IP 20
50...60Hz
FS 5
 $I_{th}=40I_n$
 $I_{dyn}=2,5 \times I_{th}$
-40...+80°C
-25...+50°C
0,25...0,30kg

Order Code	sec. 5A primary	burden class 0,5	burden class 1,0	burden class 3,0
TAC022040-05	40A			1,5VA
TAC022050-05	50A			2VA
TAC022060-05	60A		1VA	2,5VA
TAC022080-05	80A		2VA	4VA
TAC022100-05	100A	1VA	3VA	5VA
TAC022150-05	150A	3VA	5VA	8VA
TAC022200-05	200A	5VA	10VA	12VA
TAC022250-05	250A	8VA	10VA	15VA

Order Code	sec. 1A primary	burden class 0,5	burden class 1,0	burden class 3,0
TAC022040-01	40A			1,5VA
TAC022050-01	50A			2VA
TAC022060-01	60A		1VA	2,5VA
TAC022080-01	80A		2VA	4VA
TAC022100-01	100A	1VA	3VA	5VA
TAC022150-01	150A	3VA	5VA	8VA
TAC022200-01	200A	5VA	10VA	12VA
TAC022250-01	250A	8VA	10VA	15VA

Special Options

- Tropical Design
- Frequency 400Hz
- Special current measuring ranges (on demand)

Langer
MESSTECHNIK

Soyerhofstrasse 16
D-81547 Muenchen
Germany

☎ +49-700-LANGER-01
☎ +49-89 - 69 99 86 78
Fax +49-89 - 69 99 86 79

eMail & Internet:
info@Langer-Messtechnik.de
www.Langer-Messtechnik.de