

# TAC17

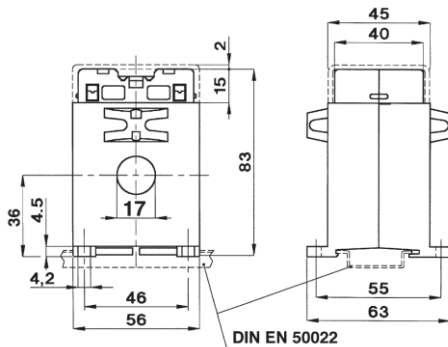
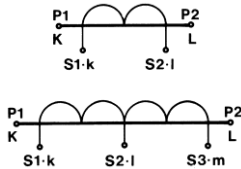
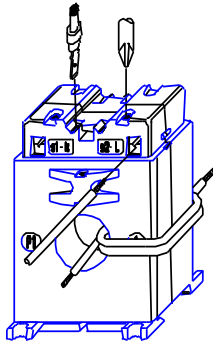
## Current Transformer 56mm Width suitable for 35mm DIN Rail for Cable $\varnothing$ max. 17mm



### TECHNICAL DATA

break-proof plastic housing with  
integrated terminal cover  
self-extinguishing  
insulation  
protection  
frequency  
current limiting factor  
thermal short-term current  
dynamic short-term current  
storage temperature  
operating temperature  
weight

UL94-V0  
class E  
IP 20  
50...60Hz  
FS 5  
 $I_{th}=40I_n$   
 $I_{dyn}=2,5 \times I_{th}$   
-40...+80°C  
-25...+50°C  
0,25...0,30kg



Order Code	sec. 5A primary	burden class 0,5	burden class 1,0	burden class 3,0
TAC017030-05	30A			1,5VA
TAC017040-05	40A			3VA
TAC017050-05	50A		1VA	4VA
TAC017060-05	60A		1,25VA	5VA
TAC017080-05	80A	1VA	2,5VA	6VA
TAC017100-05	100A	1,5VA	4VA	8VA
TAC017150-05	150A	4VA	8VA	15VA
TAC017200-05	200A	7VA	15VA	20VA

Order Code	sec. 1A primary	burden class 0,5	burden class 1,0	burden class 3,0
TAC017030-01	30A			1,5VA
TAC017040-01	40A			3VA
TAC017050-01	50A		1VA	4VA
TAC017060-01	60A		1,25VA	5VA
TAC017080-01	80A	1VA	2,5VA	6VA
TAC017100-01	100A	1,5VA	4VA	8VA
TAC017150-01	150A	4VA	8VA	15VA
TAC017200-01	200A	7VA	15VA	20VA

### Special Options

- Tropical Design
- Frequency 400Hz
- Special current measuring ranges (on demand)

**Langer**  
MESSTECHNIK

Soyerhofstrasse 16  
D-81547 Muenchen  
Germany

☎ +49-700-LANGER-01  
☎ +49-89 - 69 99 86 78  
Fax +49-89 - 69 99 86 79

eMail & Internet:  
info@Langer-Messtechnik.de  
www.Langer-Messtechnik.de