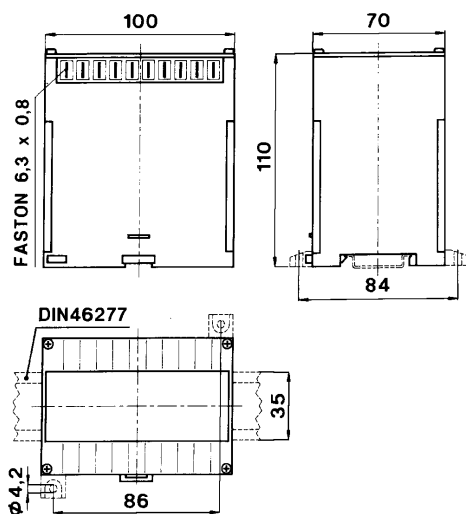


Transducer designed for Frequency Measurement



TECHNICAL DATA

| | |
|--|-----------------------|
| accuracy (class) | 0,5% |
| self-consumption | 2VA |
| continuous overload | 1,2 Un |
| short-term overload | 2 Un |
| ripple | <0,5% |
| response time | <500ms |
| storage temperature | -30...+70°C |
| operating temperature | -10...+50°C |
| test voltage | 2kV-50Hz-60s |
| surge test | 5kV; 1,2/50µs |
| input range | 90...120% or 0...120% |
| galvanic insulation of input, output and auxiliary voltage | |

| input A.C. | frequency | output D.C. | max. burden |
|------------|-------------|-------------|-------------|
| 100V/√3 | 45 - 55Hz | 0-1mA | 15kΩ |
| 110V/√3 | 45 - 65Hz | 0-5mA | 3000 Ω |
| 100V | 55 - 65Hz | 0-20mA | 750 Ω |
| 110V | 350 - 450Hz | 4-20mA | 750 Ω |
| 230V | | 0-10V | ≥ 2000 Ω |
| 400V | | | |
| 440V | | | |

Order Code

MCOFP

MCOFP with auxiliary voltage
(input range: 0...120%)

Transducer type **MCOFP** is designed for converting the frequency of a sinusoidal A.C. voltage into a proportional impressed D.C. current or D.C. voltage.

Usually these transducers work self-supplied.

The voltage input range is between 90%-120%.

If equipped with an additional auxiliary supply the input range extends to 0%-120%.

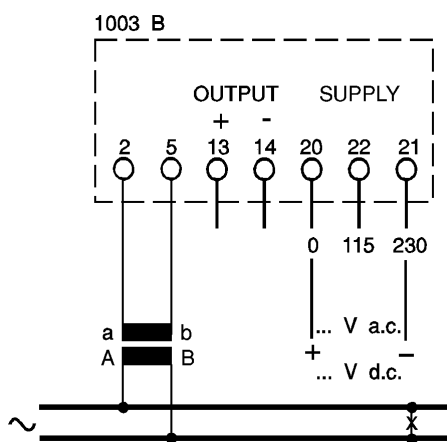
auxiliary voltage: 115V and 230V A.C. ±10% (3VA)

on demand: 24 - 400V A.C. (3VA); 24-48-110V D.C. -10 +20% (3VA)

Transmission behavior: characteristic curve B, A or C

Order Information

- Order Code
- Primary Voltage
- Frequency
- Secondary Current or Voltage
- Auxiliary Voltage (on demand)



Langer
MESSTECHNIK

Soyerhofstrasse 16
D-81547 Muenchen
Germany

☎ +49-700-LANGER-01
☎ +49-89 - 69 99 86 78
Fax +49-89 - 69 99 86 79

eMail & Internet:
info@Langer-Messtechnik.de
www.Langer-Messtechnik.de