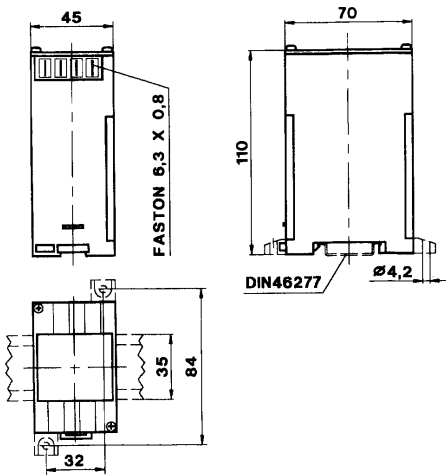


A.C. transducer for A.C. current with auxiliary voltage



TECHNICAL DATA

accuracy (class)	1%
frequency	50, 60 or 400 Hz
self-consumption	0,5VA
continuous overload	2 I _n
short-term overload	20 I _n
ripple	<1%
response time	<200ms
storage temperature	-30...+70°C
operating temperature	-10...+50°C
test voltage	2kV-50Hz-60s
surge test	5kV
input range	0...120%
galvanic insulation of input, output and auxiliary voltage	

input A.C.	output D.C.	max. burden	Order Code
1A; 2,5A; 5A	0-1mA	15 kΩ	MCOEAQ
1A; 2,5A; 5A	0-5mA	3000 Ω	MCOEAQ
1A; 2,5A; 5A	0-20mA	750 Ω	MCOEAQ
1A; 2,5A; 5A	4-20mA	750 Ω	MCOEAQ
1A; 2,5A; 5A	0-10V	≥ 2000 Ω	MCOEAQ
1A; 2,5A; 5A	0-1mA	15 kΩ	MCOEAR
1A; 2,5A; 5A	0-5mA	3000 Ω	MCOEAR
1A; 2,5A; 5A	0-20mA	750 Ω	MCOEAR
1A; 2,5A; 5A	4-20mA	750 Ω	MCOEAR
1A; 2,5A; 5A	0-10V	≥ 2000 Ω	MCOEAR

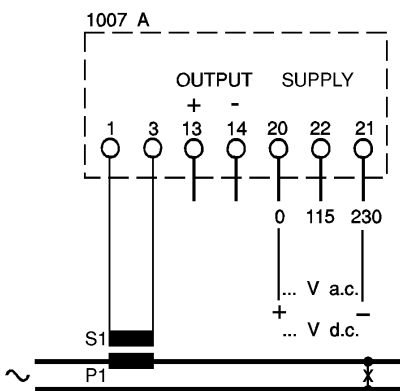
Transducers type **MCOEAQ** are used for converting a sinusoidal A.C. current into a proportional impressed D.C. current or D.C. voltage.

Transducers type **MCOEAR** are used for converting a **non-sinusoidal** (TRMS) A.C. current into a proportional impressed D.C. current or D.C. voltage.

possible additional error: (crest factor) <3 = 0,5% or <7 = 1%

auxiliary voltage: 115V und 230V A.C. ±10% (3VA)
on demand: 24 - 400V A.C. (3VA)
24-48-110V D.C. -10 +20% (3VA)

Transmission behavior: characteristic curve A or curve C



Order Information

- Order Code
- Primary Current
- Frequency
- Secondary Current or Voltage
- Auxiliary Voltage

Langer
MESSTECHNIK

Soyerhofstrasse 16
D-81547 Muenchen
Germany

☎ +49-700-LANGER-01
☎ +49-89 - 69 99 86 78
Fax +49-89 - 69 99 86 79

eMail & Internet:
info@Langer-Messtechnik.de
www.Langer-Messtechnik.de