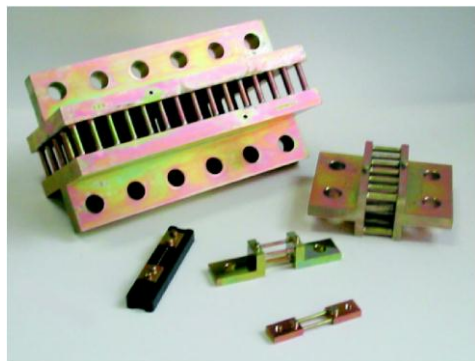


# Shunts



## TECHNICAL DATA

accuracy (class)	0,5%
resistance material	Manganin
continuous overload	1,2In
storage temperature	-40...+80°C
operating temperature	-25...+50°C
manufactured according to	DIN 43703 IEC/EN 60051 DIN 43780

nominal current Ampere	voltage drop		
	60mV	150mV	300mV
1	x	x	x
1,5	x	x	x
2	x	x	x
2,5	x	x	x
3	x	x	x
4	x	x	x
5	x	x	x
6	x	x	x
8	x	x	x
10	x	x	x
12	x	x	x
15	x	x	x
20	x	x	x
25	x	x	x
30	x	x	x
40	x	x	x
50	x	x	x
60	x	x	x
80	x	x	x
100	x	x	x
150	x	x	x
200	x	x	x
250	x	x	x
300	x	x	x
400	x	x	x
500	x	x	x
600	x	x	x
800	x	x	x
1000	x	x	x
1200	x	x	x
1500	x	x	x
2000	x	x	x
2500	x	x	x
3000	on demand	on demand	on demand
4000	on demand	on demand	on demand
5000	on demand	on demand	on demand
6000	on demand	on demand	on demand
8000	on demand	not available	
10000	on demand	not available	

x = common type

**Langer**  
MESSTECHNIK

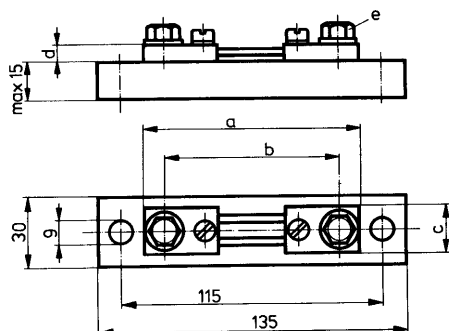
Langer Messtechnik  
Soyerhofstraße 16  
81547 München

☎ 0700-LANGER-01  
☎ 089 - 69 99 86 78  
Fax 089 - 69 99 86 79

eMail & Internet:  
info@Langer-Messtechnik.de  
www.Langer-Messtechnik.de

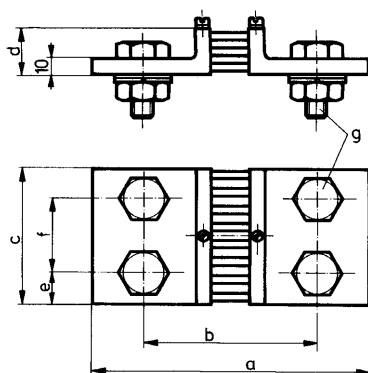
# Shunts

## design A

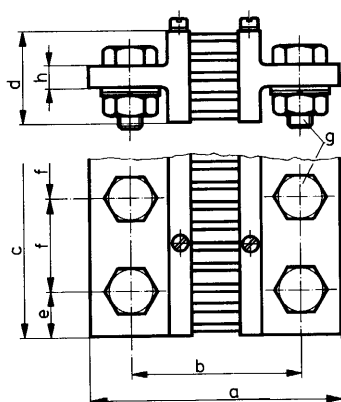


Insulation socket for design A up to 25A only!

## design B



## design C



### dimension in mm

nominal current / voltage drop	a	b	c	d	e	f	g	h	weight ca. kg
--------------------------------	---	---	---	---	---	---	---	---	---------------

### design A

1-25A/60mV	90	78	20	8	M5				0,12
1-25A/150mV	90	78	20	8	M5				0,13
1-25A/300mV	90	78	20	8	M5				0,14
40-150A/60mV	100	80	20	8	M8				0,12
40-150A/150mV	225	205	25	8	M8				0,14
40-150A/300mV	384	364	25	8	M8				0,15

### design B

200A/60mV	145	105	30	30	15		M12		0,13
200A/150mV	270	230	30	50	15		M12		0,26
200A/300mV	429	389	30	50	15		M12		0,40
250A/60mV	145	105	30	30	15		M12		0,61
250A/150mV	270	230	30	50	15		M12		0,68
250A/300mV	429	389	30	50	15		M12		0,80
400-800A/60mV	145	105	40	30	20		M16		0,83
400-800A/150mV	270	230	40	50	20		M16		1,15
400-800A/300mV	429	389	40	50	20		M16		1,40
1000A/60mV	165	115	60	30	30		M20		1,45
1000A/150mV	290	240	70	60	35		M20		2,15
1000A/300mV	449	399	70	60	35		M20		2,80
1200A/60mV	165	115	90	30	21	48	M16		1,45
1500A/60mV	165	115	90	30	21	48	M16		1,96
2000A/60mV	165	115	90	30	21	48	M16		2,30
2500A/60mV	165	115	120	30	30	60	M20		2,90
3000A/60mV	165	115	120	30	30	60	M20		3,00

### design C

1200A/150mV	290	240	90	60	21	48	M16	15	2,25
1200A/300mV	449	399	90	60	21	48	M16	15	3,10
1500A/150mV	290	240	90	60	21	48	M16	15	3,10
1500A/300mV	449	399	90	60	21	48	M16	15	3,70
2500A/150mV	290	240	120	60	30	60	M20	15	5,20
2500A/300mV	449	399	120	60	30	60	M20	15	6,00
3000A/150mV	290	240	120	60	30	60	M20	15	7,00
3000A/300mV	449	399	120	60	30	60	M20	15	6,90
4000A/60mV	165	115	120	60	30	60	M20	15	4,25
4000A/150mV	300	250	120	130	30	60	M20	25	8,30
4000A/300mV	459	409	120	130	30	60	M20	25	13,10
5000A/60mV	165	115	120	60	30	60	M20	15	4,30
5000A/150mV	300	250	120	130	30	60	M20	25	10,60
5000A/300mV	459	409	120	130	30	60	M20	25	13,90
6000A/60mV	175	125	154	130	25	52	M20	25	10,50
6000A/150mV	300	250	154	130	25	52	M20	25	15,00
6000A/300mV	459	409	154	130	25	52	M20	25	17,70
8000A/60mV	175	125	154	130	25	52	M20	25	12,00
10000A/60mV	185	135	206	170	25	52	M20	30	21,00

**Langer**  
MESSTECHNIK

Langer Messtechnik  
Soyerhofstraße 16  
81547 München

☎ 0700-LANGER-01  
☎ 089 - 69 99 86 78  
Fax 089 - 69 99 86 79

eMail & Internet:  
info@Langer-Messtechnik.de  
www.Langer-Messtechnik.de