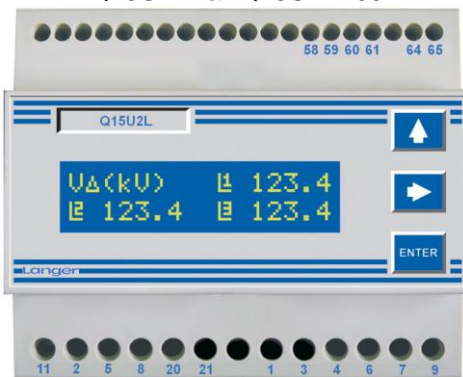


# Multifunction Meter Q15U2L & Q96U2L

Q15U2L & Q15U2X100



Q96U2L



## TECHNICAL DATA:

accuracy (class)	0,5
	2,0 (kWh)
	3,0 (kvarh)
display	LCD backlighted 16 characters per line
number of display lines	2 lines
standard resolution	4 digits (9999) with floating point
resolution for energy data	8 digits
bidirectional	yes
memory	kWh- and kvarh-data, user settings
frequency	50...60Hz
input voltage	100...400V
input current	1...5A or 100A (Q15U2X100)
input range	5..120% x Un; 5..120% x In
continuous overload	2In; 1,2Un
short-term overload (1sec)	20In; 1,5Un
self-consumption: voltage	<0,5VA
current	<0,5VA
test voltage	2kV-50Hz-60s
surge test	5kV; 1,2/50μs
protection (Q15U2L)	IP40
protection (Q96U2L)	IP50 front; IP20 back
operating temperature	-10...50°C
storage temperature	-30...70°C
weight	0,5 kg
complete galvanic separation	
alarm output / pulse output	max. 100mA / 250V (Photo-MOS)

### Auxiliary voltage

standard auxiliary voltage	115 and 230V ±10% 50/60Hz (6VA)
on demand auxiliary voltage AC	24V, 48V or 400V
on demand auxiliary voltage DC	24V, 48V, 110V or 220V

### SERIAL INTERFACE (Q96U2L485 & Q15U2L485 only):

port	RS485
interface	ModBus RTU
baud rate	9600/19200bps
communication parameters	1,8,N,2/1,8,E,1/1,8,O,1
addressing range	1...247

### Alarm output / pulse output

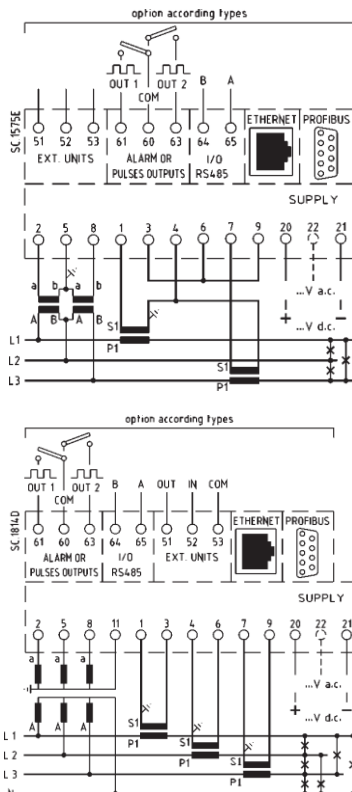
Each unit is equipped with two adjustable alarm or pulse outputs. Pulse values are directly proportional with active energy and programmable. Alarm signal is available for pre-defined minimum or maximum values. A switching delay between 0 and 99 seconds may be adjusted.

### Transformer connection

Type Q15U2L and Q96U2L are designed for current transformer measurement (sec. 1A or 5A). The voltage input connection up to 400V is direct. For higher voltages it is necessary to use a voltage transformer.

### Direct measurements

Type Q15U2X100 is designed for direct current measurements up to 3x100A. This type uses built-in current transformer. The three phases are mounted top down through the unit. Cable sleeve diameter is approx. 13mm. The voltage input connection up to 400V is direct.



**Langer**  
MESSTECHNIK

Soyerhofstrasse 16  
D-81547 Muenchen  
Germany

☎ +49-700-LANGER-01  
☎ +49-89 - 69 99 86 78  
☎ +49-89 - 69 99 86 79

eMail & Internet:  
info@Langer-Messtechnik.de  
www.Langer-Messtechnik.de

# Multifunction Meter Q15U2L & Q96U2L

## Display:

$U_{\Delta}(kV)$ 123.4	$U_{\Delta}(kV)$ 123.4	voltage phase-phase
$U_{\Delta}(kV)$ 123.4	$U_{\Delta}(kV)$ 123.4	voltage phase-N
$I_L(kA)$ 123.4	$I_L(kA)$ 123.4	current L1, L2 and L3
P.F. -0.99L	P.F. -0.99L	power factor L1, L2, L3
$I_{avg}(kA)$ 123.4	$I_{avg}(kA)$ 123.4	average current L1, L2, L3
$I_{max}(kA)$ 123.4	$I_{max}(kA)$ 123.4	max. average current L1, L2, L3
kW +12.345	kvar -12.345	active power total reactive power total (ind.)
P.F. $\Sigma$ -0.12L	F(Hz) 12.34	power factor total (ind.) frequency phase L1
kWh+ 123456.78	kvarh+ 123456.78	active energy counter (consumption) reactive energy counter (consumption)
kWh- 123456.78	kvarh- 123456.78	active energy counter (recovery) reactive energy counter (recovery)
$P_{avg15}$ 12.345kW	$P_{max15}$ 12.345kW	average active power total max. average power total

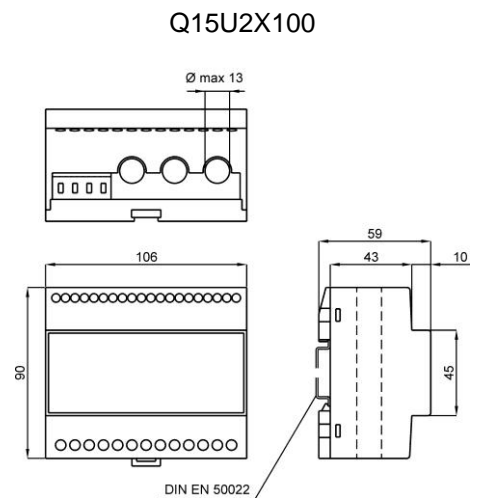
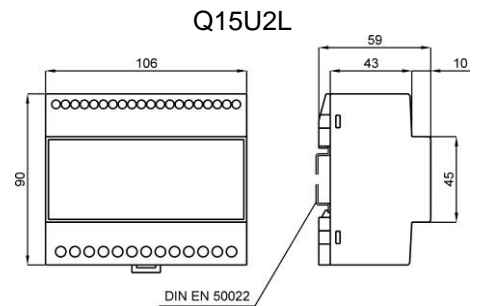
## Code: Features

Q15U2L	incl. alarm output / pulse output
Q15U2X100	incl. alarm output / pulse output
Q96U2L *)	incl. alarm output / pulse output
Q15U2L-485	incl. alarm output / pulse output / RS485 interface
Q15U2X100-485	incl. alarm output / pulse output / RS485 interface
Q96U2L-485	incl. alarm output / pulse output / RS485 interface

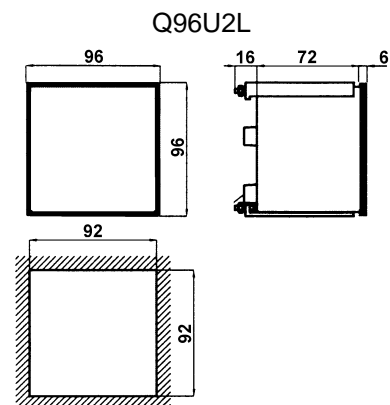
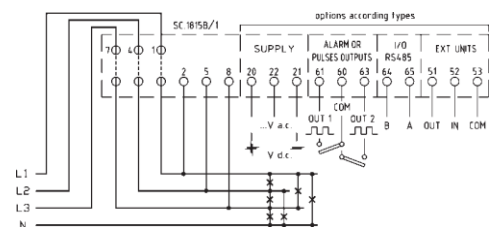
\*) available from stock

## Ordering Information

- Order Code
- Auxiliary Voltage (on demand)



## electrical connection (Q15U2X100 only)



**Langer**  
MESSTECHNIK

Soyerhofstrasse 16  
D-81547 Muenchen  
Germany

☎ +49-700-LANGER-01  
☎ +49-89 - 69 99 86 78  
Fax +49-89 - 69 99 86 79

eMail & Internet:  
info@Langer-Messtechnik.de  
www.Langer-Messtechnik.de