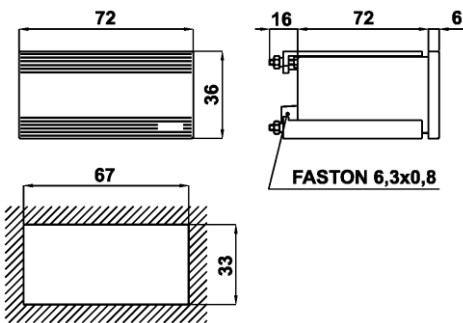


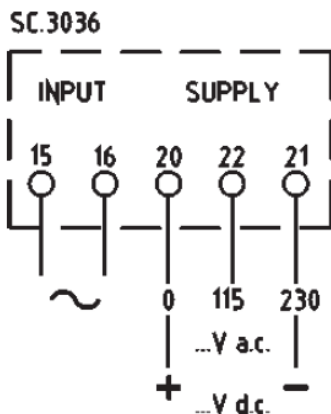
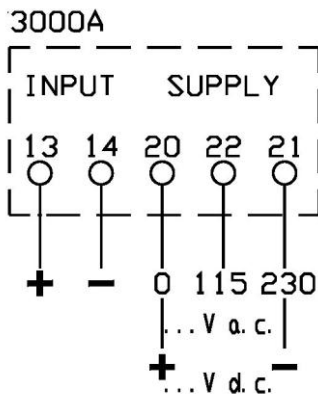
Digital Panel Meter 72x36mm

3-digit and 3 1/2-digit



TECHNICAL DATA

| | |
|--|-----------------------|
| 3- or 3 1/2-digit digital display device with automatic polarity indication. | |
| bidirectional | |
| seven-segment red LED display | |
| digit height | h=14mm |
| display range | ±999 bzw. ±1999 |
| accuracy (class) | 0,5 ±1 digit |
| frequency | 40...400Hz |
| self-consumption | 0,1VA |
| sampling range | 2/s |
| overload indication | first digit lights up |
| continuous overload | 2In; 1,2Un |
| short-term overload | 10In; 2Un |
| test voltage | 2kV-50Hz-60s |
| operating temperature | -10...+50°C |
| storage temperature | -30...+70°C |
| auxiliary voltage | 115+230V ±10% 50Hz |
| galvanic insulation of measurement voltage and auxiliary voltage | |



| measuring range | input resistance | Order Code |
|-----------------|------------------|------------|
|-----------------|------------------|------------|

direct voltage and direct current (d.c.)

| | | |
|---------------------|------------------|---------|
| 40-60-150mV | ≥10kΩ | D76MV-3 |
| 0-1V up to 0-600V | 50kΩ up to 1,6MΩ | D76MV-3 |
| 0-100μA | ≅600Ω | D76MA-3 |
| 4-20mA | ≅3Ω | D76MA-3 |
| 0-1mA up to 0-200mA | 60Ω up to 600mΩ | D76MA-3 |
| 0-1A up to 0-10A | 60mΩ up to 6mΩ | D76MA-3 |

alternating voltage and alternating current (a.c.)

| | | |
|-------------------|-----------------|---------|
| 0-1V up to 0-600V | 4kΩ up to 4MΩ | D76EV-3 |
| 0-200mA | 750mΩ | D76EA-3 |
| 0-1A | 150mΩ | D76EA-3 |
| 0-5A up to 0-10A | 30mΩ up to 15mΩ | D76EA-3 |

frequency measurement

| | | |
|------------------------------------|----------------------------|---------|
| 45-65Hz | frequency of input voltage | D76FP-3 |
| other measurement ranges on demand | | |

Order Code for 3 1/2-digit type (D76...-5):

Order Information

- Order Code
- Measuring Range / Display Range
- Please state custom scale printing when ordering
- DC auxiliary voltage on demand

Langer
MESSTECHNIK

Soyerhofstrasse 16
D-81547 Muenchen
Germany

☎ +49-700-LANGER-01
☎ +49-89 - 69 99 86 78
Fax +49-89 - 69 99 86 79

eMail & Internet:
info@Langer-Messtechnik.de
www.Langer-Messtechnik.de