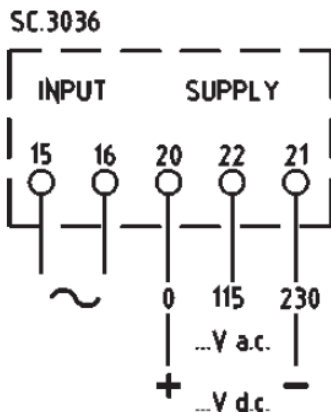
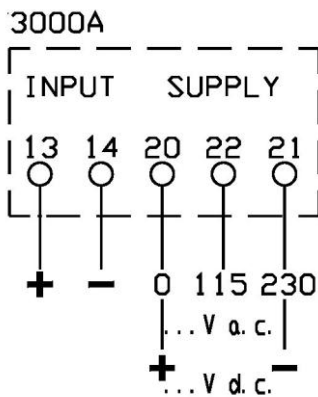
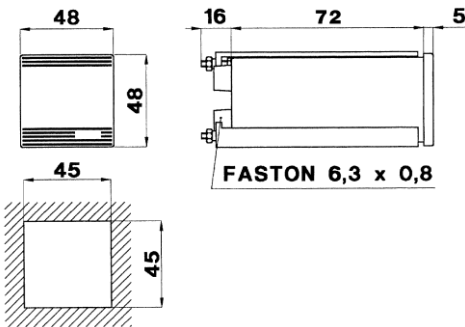


# Digital Panel Meter 48x48mm

## 3-digit and 3 1/2-digit



### TECHNICAL DATA

3- or 3 1/2-digit digital display device with automatic polarity indication.  
 bidirectional  
 seven-segment red LED display  
 digit height h=14mm  
 display range ±999 or ±1999  
 accuracy (class) 0,5 ±1 digit  
 frequency 40...400Hz  
 self-consumption 0,1VA  
 sampling rate 2/s  
 overload indication flashing display  
 continuous overload 2In; 1,2Un  
 short-term overload 10In; 2Un  
 test voltage 2kV-50Hz-60s  
 operating temperature -10...+50°C  
 storage temperature -30...+70°C  
 auxiliary voltage 115+230V ±10% 50Hz  
 galvanic insulation of measurement  
 voltage and auxiliary voltage

| measuring range   | input resistance           | Order Code |
|---|----------------------------|------------|
| <b>direct voltage and direct current (d.c.)</b>           |                            |            |
| 40-60-150mV   | ≥10kΩ                      | D48MV-3    |
| 0-1V up to 0-600V   | 50kΩ up to 4MΩ             | D48MV-3    |
| 0-100μA   | ≅600Ω                      | D48MA-3    |
| 4-20mA  | ≅3Ω                        | D48MA-3    |
| 0-1mA up to 0-100mA                                       | 60Ω up to 600mΩ            | D48MA-3    |
| 0-1A up to 0-10A  | 60mΩ up to 6mΩ             | D48MA-3    |
| <b>alternating voltage and alternating current (a.c.)</b> |                            |            |
| 0-1V up to 0-600V   | 4kΩ up to 4MΩ              | D48EV-3    |
| 0-100mA   | 1,5Ω                       | D48EA-3    |
| 0-1A  | 150mΩ                      | D48EA-3    |
| 0-5A up to 0-10A  | 30mΩ up to 15mΩ            | D48EA-3    |
| <b>frequency measurement</b>                              |                            |            |
| 45-65Hz   | frequency of input voltage | D48FP-3    |
| other measurement ranges on demand                        |                            |            |
| Order Code for 3 1/2-digit type (D48...-5):               |                            |            |

### Order Information

- Order Code
- Measuring Range / Display Range
- Please state custom scale printing when ordering
- DC auxiliary voltage on demand

**Langer**  
MESSTECHNIK

Soyerhofstrasse 16  
D-81547 Muenchen  
Germany

☎ +49-700-LANGER-01  
☎ +49-89 - 69 99 86 78  
Fax +49-89 - 69 99 86 79

eMail & Internet:  
info@Langer-Messtechnik.de  
www.Langer-Messtechnik.de