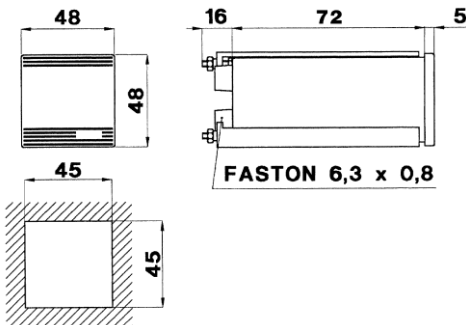


Adjustable Digital Panel Meter 48x48mm 3-digit plus additional fixed zero ones field



TECHNICAL DATA

3-digit digital display device.

Shows 3 floating characters or 4 characters with fixed zero ones field.

seven-segment red LED display

digit height

h=14mm

display range

9990

accuracy (class)

0,5 ±1 digit

frequency

40...400Hz

self-consumption

0,1VA

sampling rate

2/s

overload indication

flashing display

continuous overload

2In; 1,2Un

short-term overload

10In; 2Un

test voltage

2kV-50Hz-60s

operating temperature

-10...+50°C

storage temperature

-30...+70°C

auxiliary voltage

115+230V ±10% 50Hz

galvanic insulation of measurement

voltage and auxiliary voltage

measuring range

input resistance

Order Code

current transformer ..5A AC
600V AC

30mΩ
≥4MΩ

D48EA-G

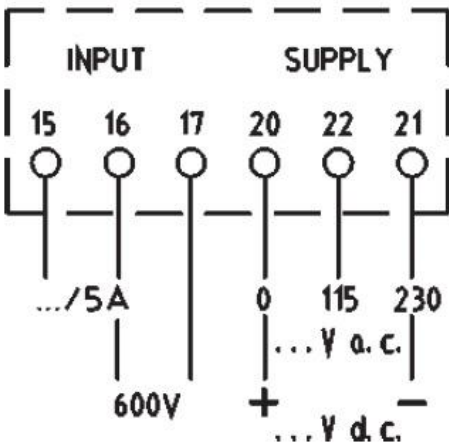
Digital panel meters type **D48EA-G** are designed for current transformer measurements (5A) or direct mains voltage (600V) measuring.

In case of current transformer measurements, the display range may be adjusted via DIP-switches. The DIP-switches are located behind the front panel.

The following display ranges are adjustable via DIP-switches:

15,0	20,0	25,0	40,0	50,0	60,0	80,0	99,9
150	200	250	400	500	600	800	999
1500	2000	2500	4000	5000	6000	8000	9990

SC.3026A



Order Information

- Order Code
- Please state custom scale printing when ordering
- DC auxiliary voltage on demand

Langer
MESSTECHNIK

Soyerhofstrasse 16
D-81547 Muenchen
Germany

☎ +49-700-LANGER-01
☎ +49-89 - 69 99 86 78
Fax +49-89 - 69 99 86 79

eMail & Internet:
info@Langer-Messtechnik.de
www.Langer-Messtechnik.de