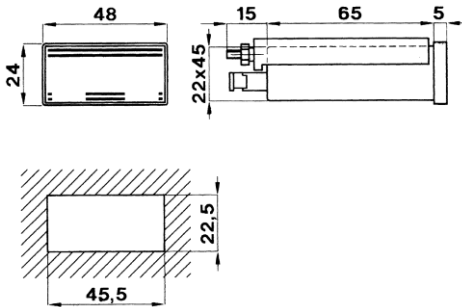


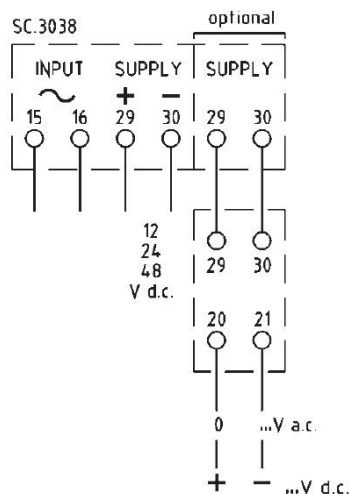
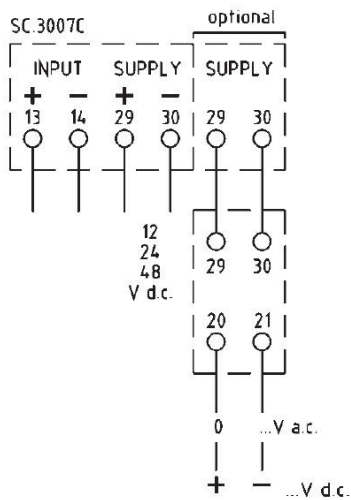
Digital Panel Meter 48x24mm

3-digit and 3 1/2-digit



TECHNICAL DATA

3-digit digital display device with automatic polarity indication.	
bidirectional	
seven-segment red LED display	
digit height	h=10mm
display range	±999 or ±1999
accuracy (class)	0,5 ±1 digit
frequency	40...400Hz
self-consumption	0,1VA
sampling rate	2/s
overload indication	1/-1
continuous overload	2In; 1,2Un
short-term overload	10In; 2Un
test voltage	2kV-50Hz-60s
operating temperature	-10...+50°C
storage temperature	-30...+70°C
standard auxiliary voltage	24V DC ±10%
galvanic insulation of measurement voltage and auxiliary voltage	



measuring range	input resistance	Order Code
direct voltage and direct current (d.c.)		
60-150mV	>3kΩ xV	D44MV-3
0-1V up to 0-150V	>3kΩ xV	D44MV-3
4-20mA	1kΩ/mA (1VA max.)	D44MA-3
0-1mA up to 0-5A	1kΩ/mA (1VA max.)	D44MA-3
alternating voltage and alternating current (a.c.)		
0-1V up to 0-150V	>3kΩ xV	D44EV-3
0-1mA up to 0-5A	1kΩ/mA (1VA max.)	D44EA-3
Order Code for 3 1/2-digit type (D44...-5):		

Order Information

- Order Code
- Measuring Range / Display Range
- Please state custom scale printing when ordering
- Additional auxiliary voltages (external modules) on demand

Langer
MESSTECHNIK

Soyerhofstrasse 16
D-81547 Muenchen
Germany

☎ +49-700-LANGER-01
☎ +49-89 - 69 99 86 78
Fax +49-89 - 69 99 86 79

eMail & Internet:
info@Langer-Messtechnik.de
www.Langer-Messtechnik.de