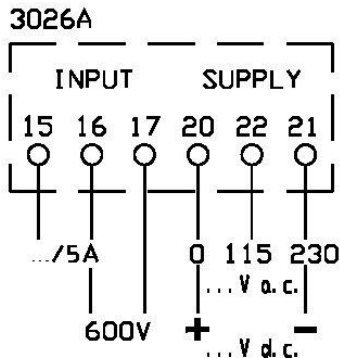
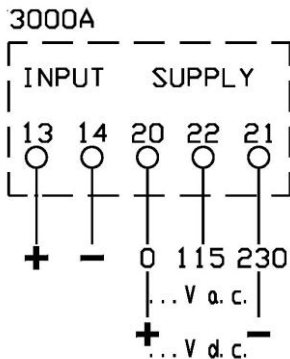
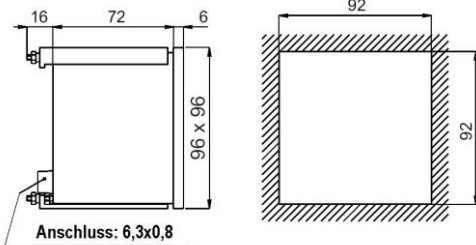


# Adjustable Digital Panel Meter 96x96mm

## 3 1/2-digit plus additional fixed zero ones field



### TECHNICAL DATA

3 1/2-digit digital display device with automatic polarity indication.  
Shows 5 characters with fixed zero ones field.

seven-segment red LED display

digit height	h=14mm
display range	±19990
accuracy (class)	0,5 ±1 digit
frequency	40...400Hz
sampling rate	2/s
overload indication	first digit lights up
continuous overload	2In; 1,2Un
short-term overload	10In; 2Un
test voltage	2kV-50Hz-60s
operating temperature	-10...+50°C
storage temperature	-30...+70°C
auxiliary voltage	115+230V ±10% 50Hz
galvanic insulation of measurement voltage and auxiliary voltage	

measuring range	input resistance	Order Code
<b>direct voltage and direct current (d.c.)</b>		
0-10V	≅470kΩ	D96MV-G10
shunt 60mV	≅10kΩ	D96MA-G60
0-20mA	≅3Ω	D96MMA-G20
4-20mA	≅3Ω	D96MMA-G42

<b>alternating voltage and alternating current (a.c.)</b>		
0-600V	≅4MΩ	D96EA-G
current transformer ..1A	≅150mΩ	D96EA-G
current transformer ..1/5A	≅30mΩ	D96EA-G

The display range may be adjusted via DIP-switches by the customer. DIP-switches are located behind the front panel.

This digital meters show 3 1/2 floating characters plus one additional fixed zero ones field character, if needed.

The following display ranges are adjustable via DIP-switches:

1,000	10,00	100,0	1000	10000
1,200	12,00	120,0	1200	12000
1,500	15,00	150,0	1500	15000
0,150	1,50	15,0	150	1500
1,999	19,99	199,9	1999	19990
0,200	2,00	20,0	200	2000
0,250	2,50	25,0	250	2500

0,300	3,00	30,0	300	3000
0,400	4,00	40,0	400	4000
0,500	5,00	50,0	500	5000
0,600	6,00	60,0	600	6000
0,750	7,50	75,0	750	7500
0,800	8,00	80,0	800	8000

### Order Information

- Order Code
- Measuring Range
- Please state custom scale printing when ordering
- DC auxiliary voltage on demand

**Langer**  
MESSTECHNIK

Soyerhofstrasse 16  
D-81547 Muenchen  
Germany

☎ +49-700-LANGER-01  
☎ +49-89 - 69 99 86 78  
Fax +49-89 - 69 99 86 79

eMail & Internet:  
info@Langer-Messtechnik.de  
www.Langer-Messtechnik.de