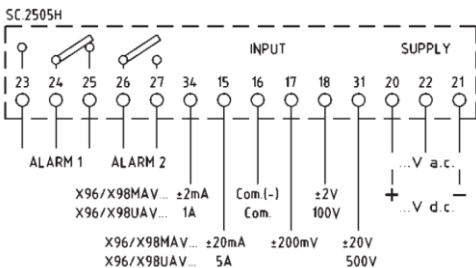
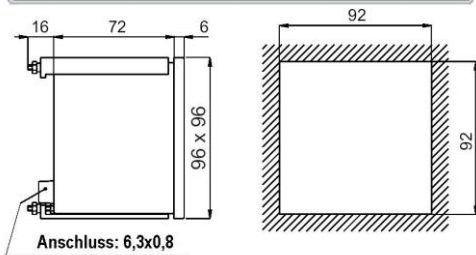
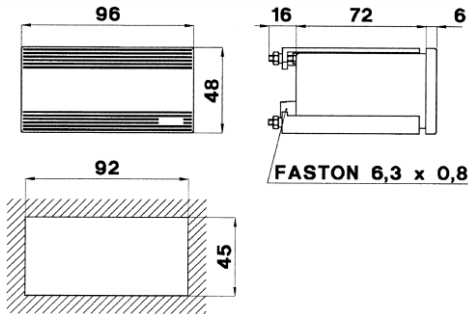


Programmable Digital Panel Meter with Min.-/ Max.-Contact



TECHNICAL DATA

Digital display device with two programmable contact outputs.
seven-segment red LED display

digit height	h=14mm
display range	± 19999
accuracy (class)	0,2 (d.c.); 0,35 (a.c.)
frequency	45...65Hz
self-consumption	5 VA
adjustable delay	0,1...999s
sampling rate	5/s
overload indication	display „over“
continuous overload	2In; 1,2Un
short-term overload	10In; 2Un
number of alarm contacts	2
max. contact rating	10A, 250V AC
test voltage	4kV-50Hz-60s
operating temperature	-10...+50°C
storage temperature	-30...+70°C
plastic housing	
test for flammability	UL94-V0
auxiliary voltage	115 o. 230V ±10% 50Hz
galvanic insulation of measurement	
voltage and auxiliary voltage	

measuring range	Order Code 96x48mm	Order Code 96x96mm
direct voltage and direct current (d.c.)		
2mA, 20mA, 200mV, 2V, 20V	X98MAV-Q41	X96MAV-Q41
1A, 5A, 100V, 500V	X98UAV-QU	X96UAV-QU
alternating voltage and alternating current (a.c.)		
2mA, 20mA, 200mV, 2V, 20V	X98MAV-Q41	X96MAV-Q41
1A, 5A, 100V, 500V	X98UAV-QU	X96UAV-QU

Order Information

- Order Code
- Measuring Range / Display Range
- Please state custom scale printing when ordering
- Special measuring ranges on demand
- DC auxiliary voltage on demand

Langer
MESSTECHNIK

Soyerhofstrasse 16
D-81547 Muenchen
Germany

☎ +49-700-LANGER-01
☎ +49-89 - 69 99 86 78
Fax +49-89 - 69 99 86 79

eMail & Internet:
info@Langer-Messtechnik.de
www.Langer-Messtechnik.de