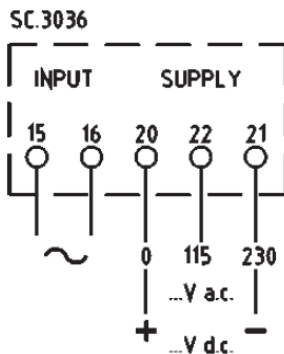
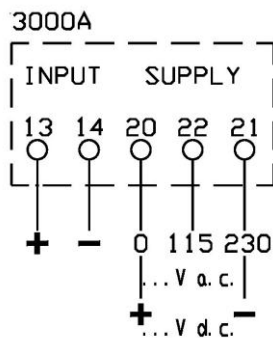
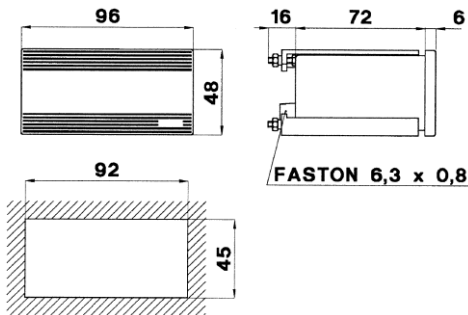


# Digital Panel Meter 96x48mm

## 4 1/2-digit



### TECHNICAL DATA

4 1/2-digit digital display device with automatic polarity indication.  
bidirectional

seven-segment red LED display

digit height

h=14mm

display range

±19999

accuracy (class)

0,2 (d.c.); 0,35 (a.c.)

frequency

45...65Hz

self-consumption

0,1VA

sampling rate

5/s

overload indication

display „over“

continuous overload

2In; 1,2Un

short-term overload

10In; 2Un

test voltage

2kV-50Hz-60s

operating temperature

-10...+50°C

storage temperature

-30...+70°C

auxiliary voltage

115+230V ±10% 50Hz

galvanic insulation of measurement

voltage and auxiliary voltage

measuring range	input resistance	Order Code
<b>direct voltage and direct current (d.c.)</b>		
40-60-150mV	≥10kΩ	D98MV-6
0-1V up to 0-600V	1kΩ up to 600kΩ	D98MV-6
0-100μA	≅10kΩ	D98MA-6
4-20mA	≅50Ω	D98MA-6
0-1mA up to 0-100mA	1kΩ up to 10mΩ	D98MA-6
0-1A up to 0-10A	75mΩ up to 7,5mΩ	D98MA-6
<b>alternating voltage and alternating current (a.c.)</b>		
0-1V up to 0-600V	1kΩ up to 600kΩ	D98EV-6
0-100mA	1,5Ω	D98EA-6
0-1A	150mΩ	D98EA-6
0-5A up to 0-10A	30mΩ up to 15mΩ	D98EA-6
<b>frequency measurement</b>		
45-65Hz	frequency of	D98FP-6
other measurement ranges on demand	input voltage	

### Order Information

- Order Code
- Measuring Range / Display Range
- Please state custom scale printing when ordering
- DC auxiliary voltage on demand

**Langer**  
MESSTECHNIK

Soyerhofstrasse 16  
D-81547 Muenchen  
Germany

☎ +49-700-LANGER-01  
☎ +49-89 - 69 99 86 78  
Fax +49-89 - 69 99 86 79

eMail & Internet:  
info@Langer-Messtechnik.de  
www.Langer-Messtechnik.de