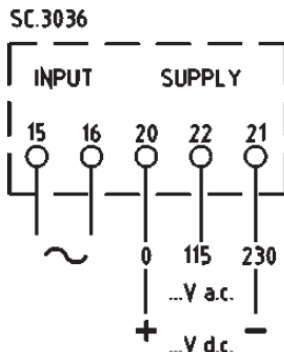
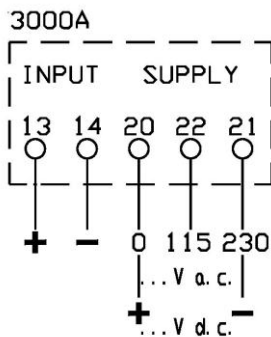
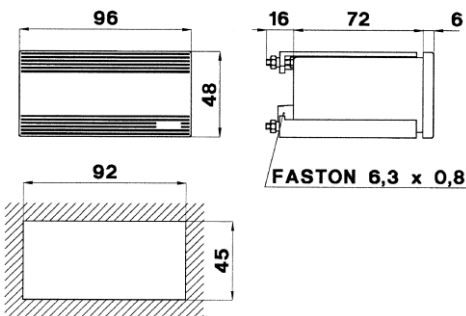


Digital Panel Meter 96x48mm

3 1/2-digit



TECHNICAL DATA

3 1/2-digit digital display device with automatic polarity indication.
bidirectional

seven-segment red LED display

digit height

h=14mm

display range

±1999

accuracy (class)

0,5 ±1 digit

frequency

40...400Hz

self-consumption

0,1VA

sampling range

2/s

overload indication

first digit lights up

continuous overload

2In; 1,2Un

short-term overload

10In; 2Un

test-voltage

2kV-50Hz-60s

operating temperature

-10...+50°C

storage temperature

-30...+70°C

auxiliary voltage

115+230V ±10% 50Hz

galvanic insulation of measurement

voltage and auxiliary voltage

measuring range	input resistance	Order Code
direct voltage and direct current (d.c.)		
40-60-150mV	10kΩ	D98MV-5
0-1V up to 0-600V	50kΩ up to 1MΩ	D98MV-5
0-100μA	600Ω	D98MA-5
4-20mA	3Ω	D98MA-5
0-1mA up to 0-100mA	60Ω up to 600mΩ	D98MA-5
0-1A up to 0-10A	60mΩ up to 6mΩ	D98MA-5
alternating voltage and alternating current (a.c.)		
0-1V up to 0-600V	4kΩ up to 4MΩ	D98EV-5
0-100mA	1,5Ω	D98EA-5
0-1A	150mΩ	D98EA-5
0-5A up to 0-10A	30mΩ up to 15mΩ	D98EA-5

Order Information

- Order Code
- Measuring Range / Display Range
- Please state custom scale printing when ordering
- DC auxiliary voltage on demand

Langer
MESSTECHNIK

Soyerhofstrasse 16
D-81547 Muenchen
Germany

☎ +49-700-LANGER-01
☎ +49-89 - 69 99 86 78
Fax +49-89 - 69 99 86 79

eMail & Internet:
info@Langer-Messtechnik.de
www.Langer-Messtechnik.de