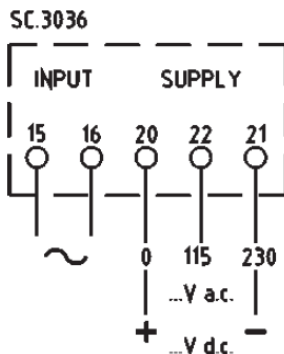
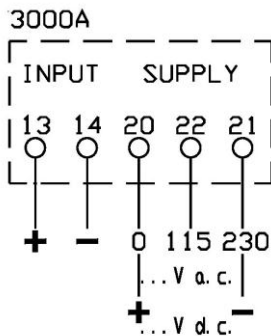
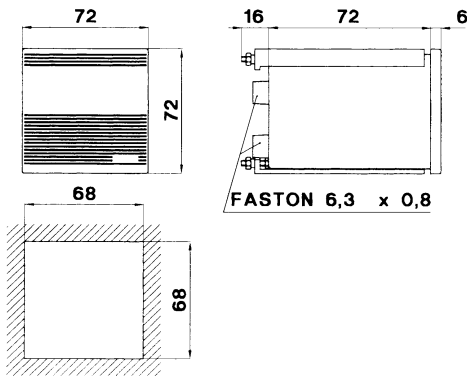


Digital Panel Meter 72x72mm

3-digit



TECHNICAL DATA

3-digit digital display device with automatic polarity indication.
bidirectional

seven-segment red LED display

digit height

h=14mm

display range

±999

accuracy (class)

0,5 ±1 digit

frequency

40...400Hz

self-consumption

0,1VA

sampling range

2/s

overload indication

flashing display

continuous overload

2In; 1,2Un

short-term overload

10In; 2Un

test voltage

2kV-50Hz-60s

operating temperature

-10...+50°C

storage temperature

-30...+70°C

auxiliary voltage

115+230V ±10% 50Hz

galvanic insulation of measurement

voltage and auxiliary voltage

measuring range

input resistance

Order Code

direct voltage and direct current (d.c.)

40-60-150mV	≥10kΩ	D72MV-3
0-1V up to 0-600V	50kΩ up to 800kΩ	D72MV-3
0-100μA	≅600Ω	D72MA-3
4-20mA	≅3Ω	D72MA-3
0-1mA up to 0-100mA	60Ω up to 600mΩ	D72MA-3
0-1A up to 0-10A	60mΩ up to 6mΩ	D72MA-3

alternating voltage and alternating current (a.c.)

0-1V up to 0-600V	4kΩ up to 800kΩ	D72EV-3
0-100mA	1,5Ω	D72EA-3
0-1A	150mΩ	D72EA-3
0-5A up to 0-10A	30mΩ up to 15mΩ	D72EA-3

frequency measurement

45-65Hz	frequency of input voltage	D72FP-3
other measurement ranges on demand		

Order Information

- Order Code
- Measuring Range / Display Range
- Please state custom scale printing when ordering
- DC auxiliary voltage on demand

Langer
MESSTECHNIK

Soyerhofstrasse 16
D-81547 Muenchen
Germany

☎ +49-700-LANGER-01
☎ +49-89 - 69 99 86 78
Fax +49-89 - 69 99 86 79

eMail & Internet:
info@Langer-Messtechnik.de
www.Langer-Messtechnik.de