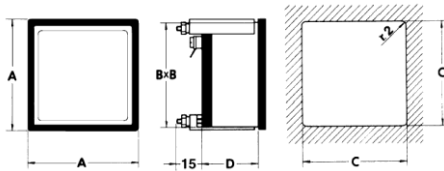


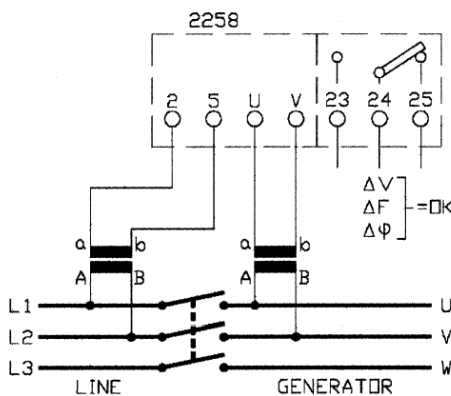
# Panel LED-Synchronoskope with Control and Impulse Contact



dimensions and weight

Type	A/mm	B/mm	C/mm	D/mm	kg
96YX	96	91	92	70	0,40
144YX	144	137	138	70	0,50

wiring diagram:



## TECHNICAL DATA

synchronoscope indication	28 LEDs
phase delay accuracy (synchronoscope)	0,1rad
self-consumption (synchronoscope)	approx. 3VA
test voltage	2kV-50Hz-60s
operating temperature	-25...50°C
storage temperature	-30...70°C
protection for housing	IP52
protection for terminals	IP20
manufactured according to	DIN, VDE, IEC, CEI

back side potentiometer:	
- voltage difference	±2,5 ... 20% Un
- phase difference	±5 ... ±25°
- frequency difference	0,1 ... 1Hz

## Order Code

Input	96YX	144YX
100-110V AC		
230V		
400V		
440V		

LEDs flashes sequentially in clockwise direction when generator speed is too high in relation to the line, and vice versa.

One single bright LED in random position shows line voltage only. All black LEDs show generator voltage only.

Optimal conditions for synchronizing are (phase and frequency matching) when the central green LED is flashing;

a pulse contact with a length of approx. 100ms will be closed.

Following parameters will be checked:

ΔV:	voltage difference between line and generator
ΔF:	frequency difference between line and generator
Δφ:	phase difference between line and generator

The parameters thresholds can be set within the specified limits at the back side of the instrument.

One deviation only results in separation of the synchronization.

Please note:

With all the parameters thresholds set to minimum values, reaching the correct paralleling condition can require long time.

## Ordering Information

- Order Code
- Input Voltage
- Operating Frequency

**Langer**  
MESSTECHNIK

Soyerhofstrasse 16  
D-81547 Muenchen  
Germany

☎ +49-700-LANGER-01  
☎ +49-89 - 69 99 86 78  
Fax +49-89 - 69 99 86 79

eMail & Internet:  
info@Langer-Messtechnik.de  
www.Langer-Messtechnik.de